

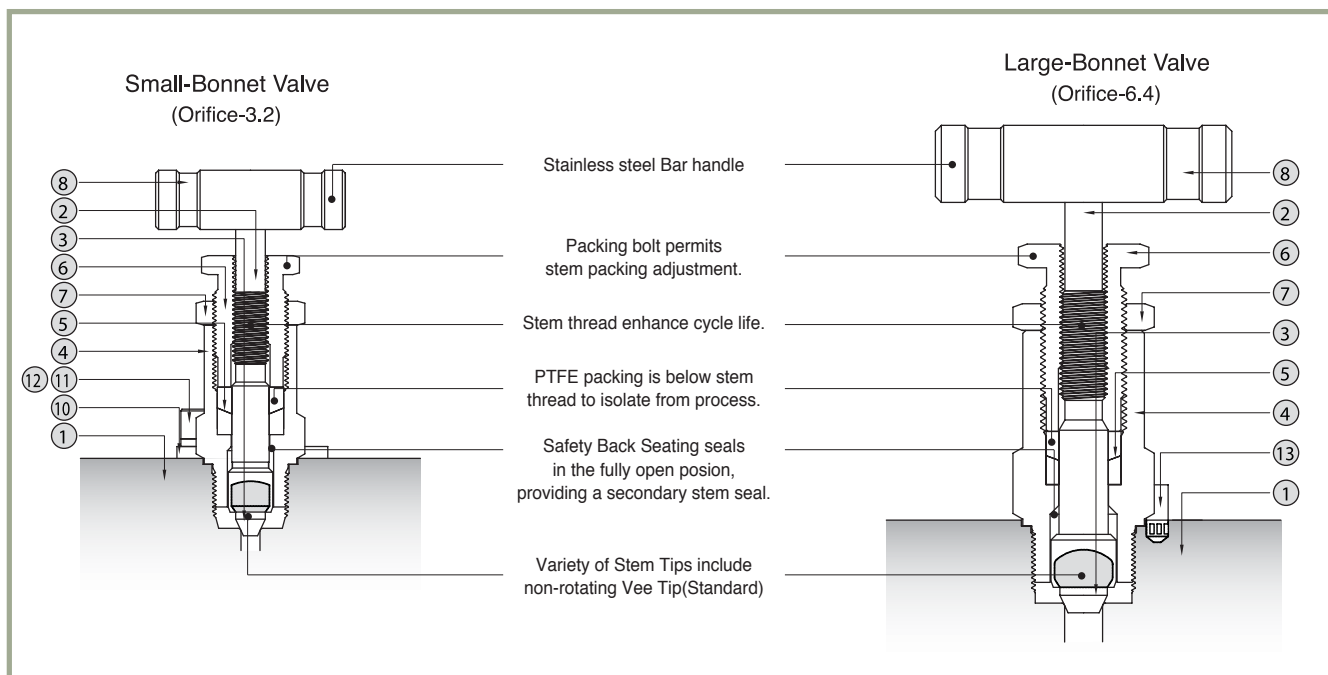
Instrument Manifold & Gauge Valves

High Technology Valve & Flange & Fitting Series



SUPERLOK®

BMT Co., Ltd.
www.superlok.com



Technical Data

Material of Construction

Component	Material Grade
1 Body	SS316 / A276 or A479
2 Stem	SS316 / A276 or A479
3 Vee Tip	SS316 / A479
4 Bonnet	SS316 / A276 / or A479
5 Packing	PTFE Grafoil (optional)
6 Packing Bolt	SS316 / A276 / or A479
7 Lock Nut	SS316 / A276 / or A479
8 Handle	Stainless Steel
9 Set Screw	Stainless Steel
10 Locking Plate	Stainless Steel
11 Wrench Bolt	Stainless Steel
12 Spring Washer	Stainless Steel
13 Stop Pin	Stainless Steel

Orifice

3.2mm (0.125 in.)	2-Valve Manifolds Block, Bleed Valve 5-Valve Manifolds Equalizer, Bleed Valve
6.4mm (0.250 in.)	3-Valve Manifolds Block, Equalizer Valve 5-Valve Manifolds Block Valve

Features

- 2-,3-,and 5-valves Instrument manifolds valves.
- Pressure Rating up to 6000psig (413bar) @ 100 °F(37°C)
- Temperature up to 1200 °F(648°C) with optional Grafoil packing
- All 316 stainless steel construction with PTFE packing.

Testing

Each valve on every manifold is factory tested with nitrogen gas. The test is performed to a maximum allowable leak rate of 0.1scc/min.

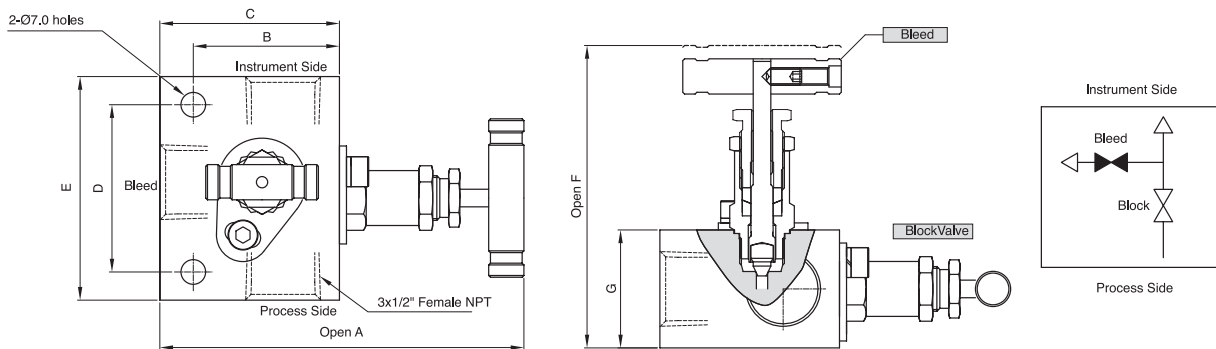
Pressure-Temperature Rating

Packing Material	SS 316	
	PTFE	Grafoil
Temperature(°C)	Working Pressure psig(bar)	
-65 (-53) to 100(37)	6000 (413)	6000 (413)
200 (93)	5160 (355)	5160 (355)
250 (121)	4910 (338)	4910 (338)
300 (148)	4660 (321)	4660 (321)
350 (176)	4470 (307)	4470 (307)
400 (204)	4280 (294)	4280 (294)
450 (232)	4130 (284)	4130 (284)
500 (260)	-	3980 (274)
550 (287)	-	3870 (266)
600 (315)	-	3760 (259)
650 (343)	-	3700 (254)
700 (371)	-	3600 (248)
750 (398)	-	3520 (242)
800 (426)	-	3460 (235)
850 (454)	-	3380 (232)
900 (482)	-	3280 (225)
950 (510)	-	3220 (221)
1000 (537)	-	3030 (208)
1050 (565)	-	3000 (206)
1100 (593)	-	2685 (184)
1150 (621)	-	2285 (157)
1200 (648)	-	1715 (118)

* Note
450 °F(232 °C) with standard PTFE packing.
1200 °F(648 °C) with Optional Grafoil packing.

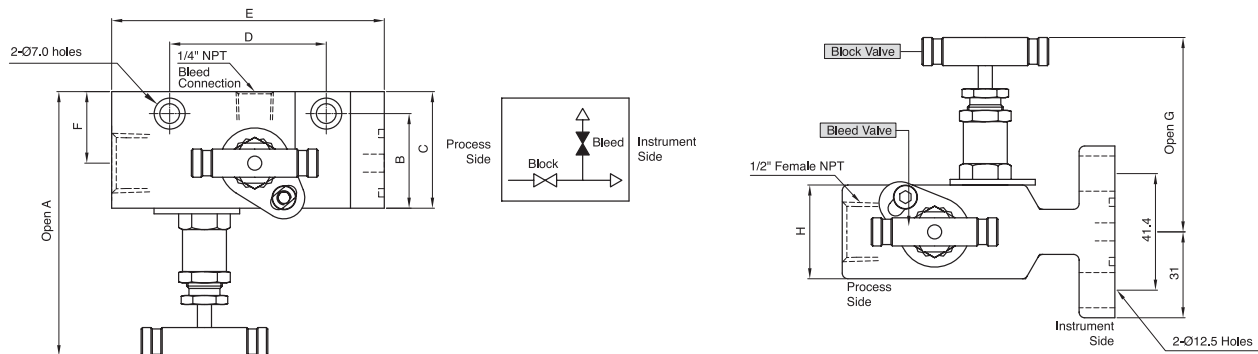
2-Valve Manifolds

Horizontal Style (Remote Mounting)



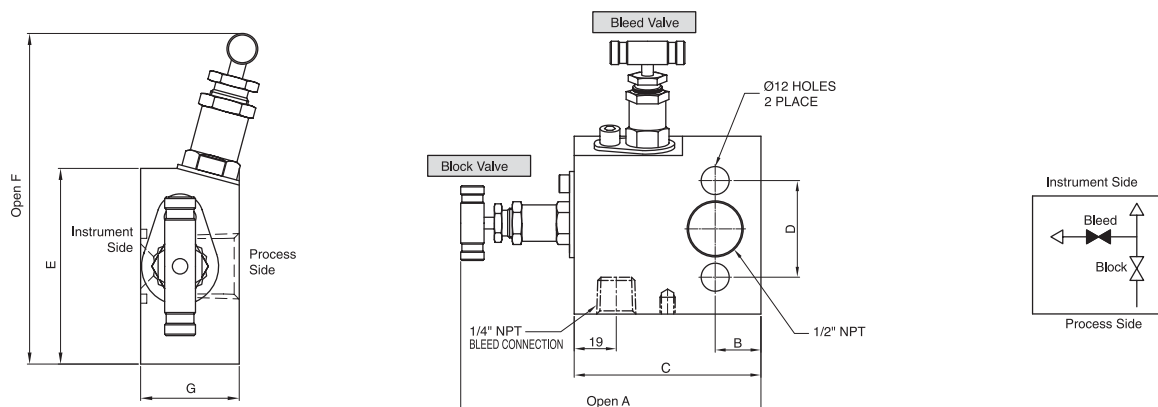
Ordering No.	End Connections			Weight Dimensions (mm)						
	Process	Instrument	Bleed	A	B	C	D	E	F	G
SM2V-F-8N	1/2" Female NPT			103.5	41.5	51	47.5	63.5	85.9	33.5

Horizontal Single Flange Style (Direct Mounting)



Ordering No.	End Connections			Weight Dimensions (mm)							
	Process	Instrument	Bleed	A	B	C	D	E	F	G	H
SM2VF-F-8N	1/2" Female NPT	Flange	1/4" Female NPT	93.8	33.6	41.4	47.8	97.0	25.4	69.0	31.8

Vertical Style (Direct Mounting)

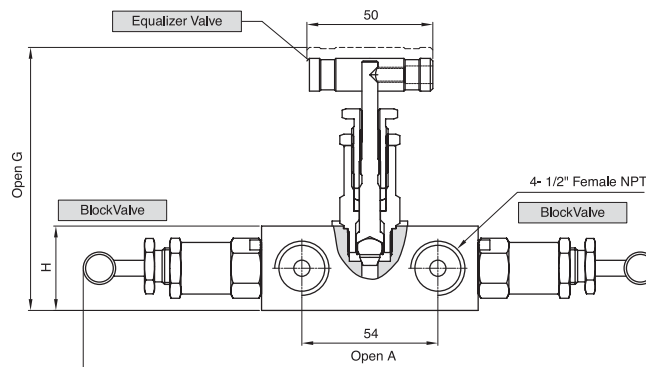
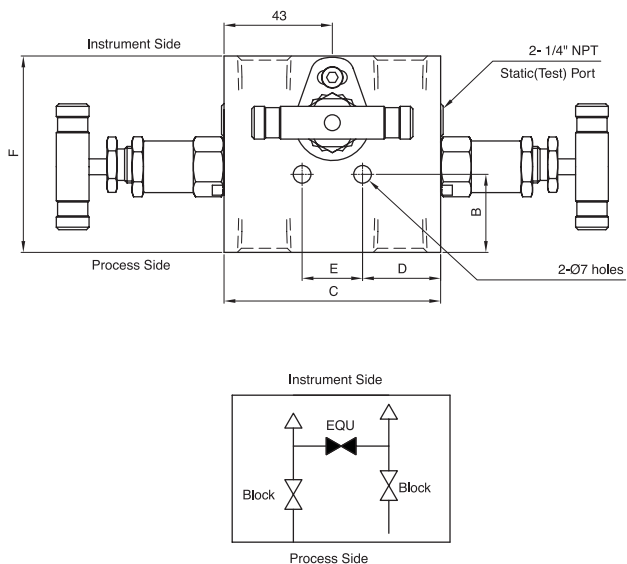


Ordering No.	End Connections			Weight Dimensions (mm)						
	Process	Instrument	Bleed	A	B	C	D	E	F	G
SM2VD-F-8N	1/2" Female NPT	Flange	1/4" Female NPT	116.0	17.0	63.5	41.4	63.5	115.0	28.6

* Dimension are for reference only and are subject to change. * To order a manifold with optional Grafoil packing, add-G to the manifold ordering number.

3-Valve Manifolds

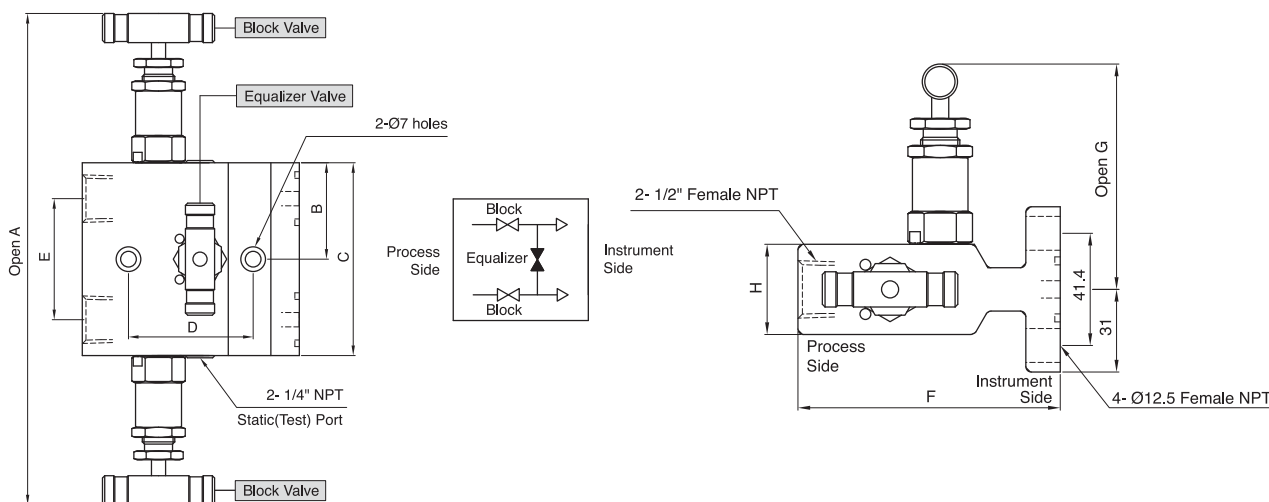
Horizontal Style (Remote Mounting)



Ordering No.	End Connections		Weight Dimensions (mm)							
	Process	Instrument	A	B	C	D	E	F	G	H
SM3V-F-8N	1/2" Female NPT		228.0	31.0	86.0	31.0	24.0	78.0	106.0	33.5

* Dimension are for reference only and are subject to change.
 * To order a manifold with optional Grafoil packing, add-G to the manifold ordering number.

Horizontal Single Flange Style (Direct Mounting)

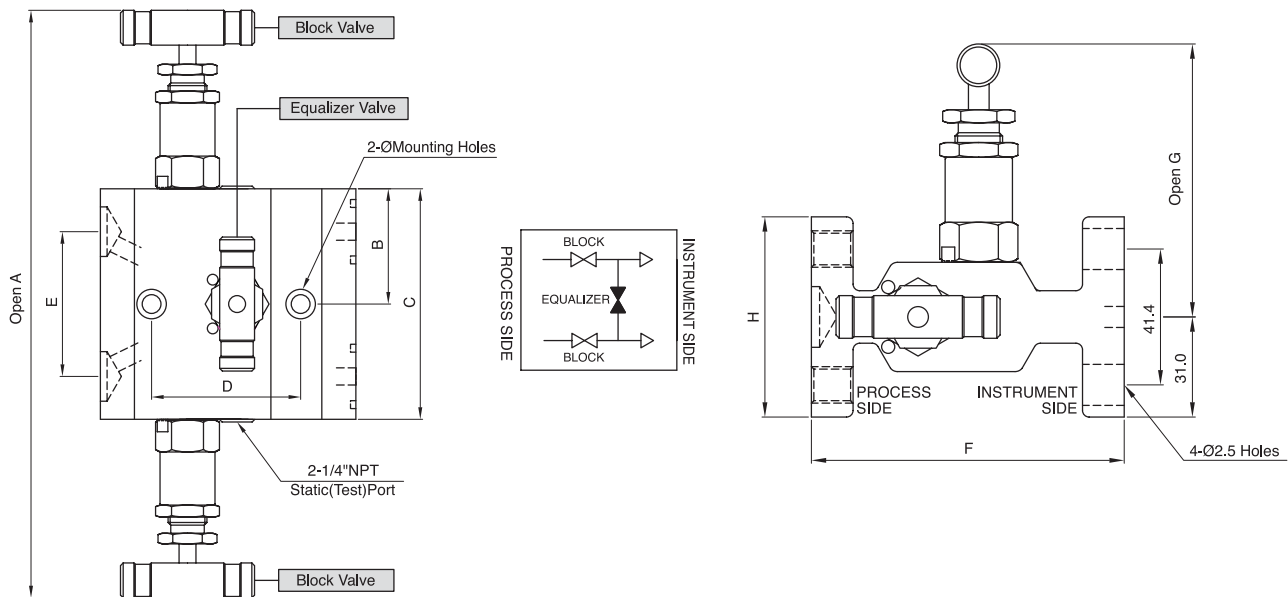


Ordering No.	End Connections		Weight Dimensions (mm)							
	Process	Instrument	A	B	C	D	E	F	G	H
SM3VF-F-8N	1/2" Female NPT	Flange	228.0	43.0	86.0	55.6	54.0	97.0	87.7	31.8

* Dimension are for reference only and are subject to change.
 * To order a manifold with optional Grafoil packing, add-G to the manifold ordering number.

3-Valve Manifolds

Horizontal Dual Flange Style (Direct Mounting)

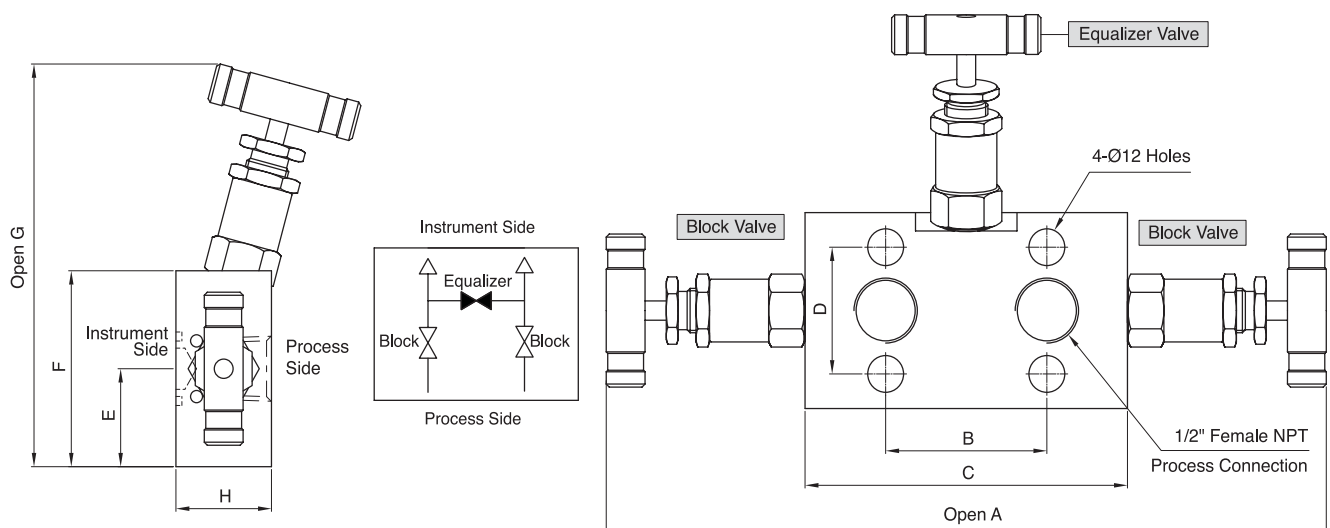


Ordering No.	End Connections		Weight Dimensions (mm)							
	Process	Instrument	A	B	C	D	E	F	G	H
SM3VDF	Flange	Flange	228.0	43.0	86.0	55.6	54.0	96.4	87.7	62.0

* Dimension are for reference only and are subject to change.

* To order a manifold with optional Grafoil packing, add-G to the manifold ordering number.

Vertical Style (Direct Mounting)



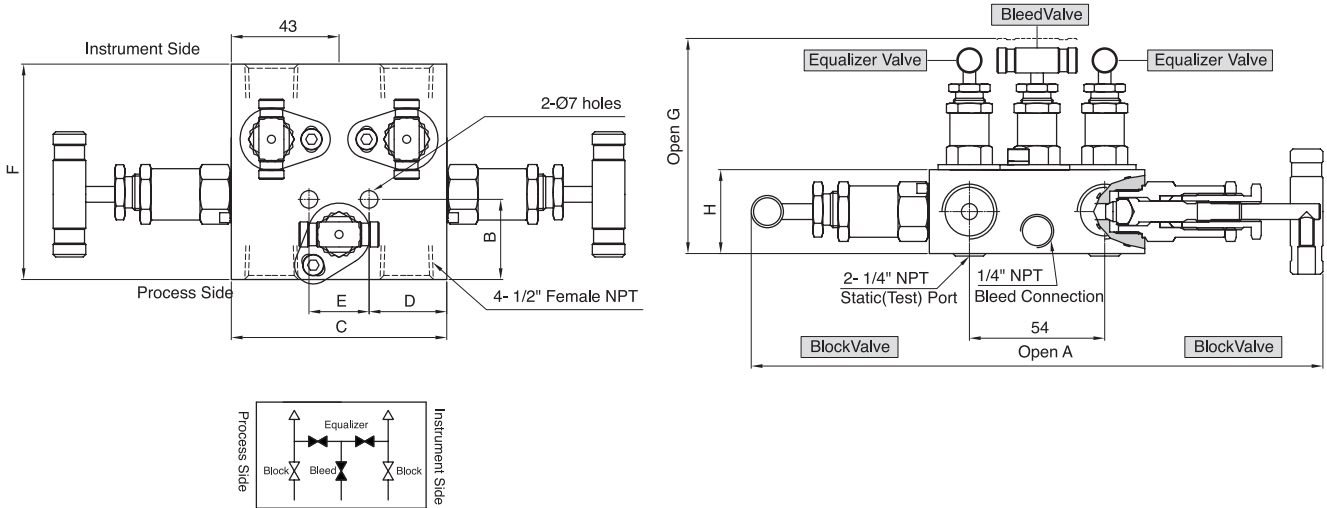
Ordering No.	End Connections		Weight Dimensions (mm)							
	Process	Instrument	A	B	C	D	E	F	G	H
SM3VD-F-8N	1/2" Female NPT	Flange	250.0	54.0	108.0	41.4	32.0	64.0	136.0	32.0

* Dimension are for reference only and are subject to change.

* To order a manifold with optional Grafoil packing, add-G to the manifold ordering number.

5-Valve Manifolds

Horizontal Style (Remote Mounting)

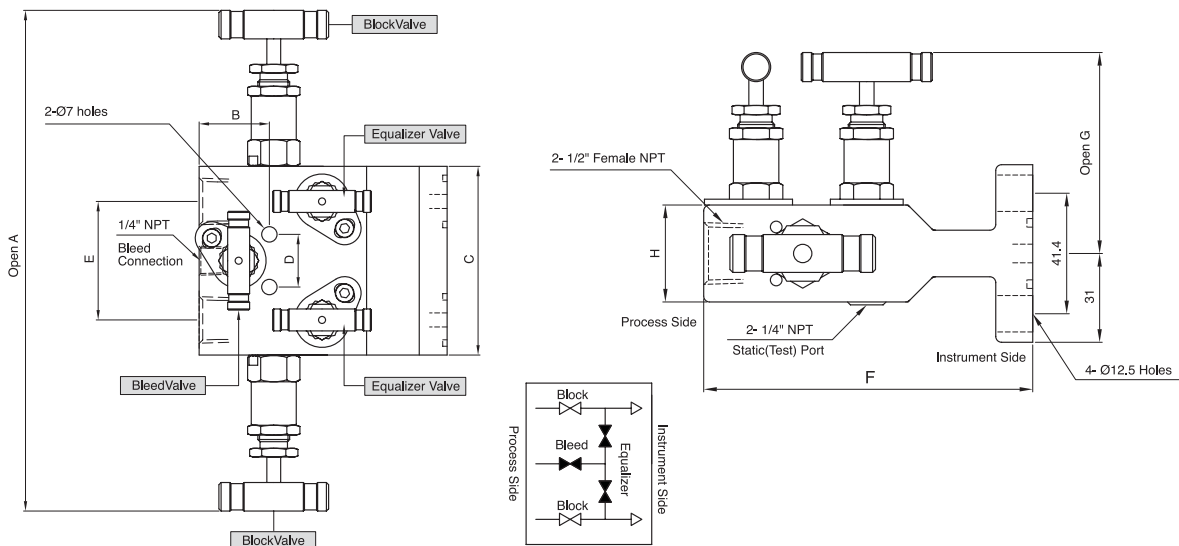


Ordering No.	End Connections			Weight Dimensions (mm)							
	Process	Instrument	Bleed	A	B	C	D	E	F	G	H
SM5V-F-8N	1/2" Female NPT	1/4" Female NPT	1/4" Female NPT	228.0	32.0	86.0	31.0	24.0	86.0	85.9	33.5

* Dimension are for reference only and are subject to change.

* To order a manifold with optional Grafoil packing, add-G to the manifold ordering number.

Horizontal Single Flange Style (Direct Mounting)



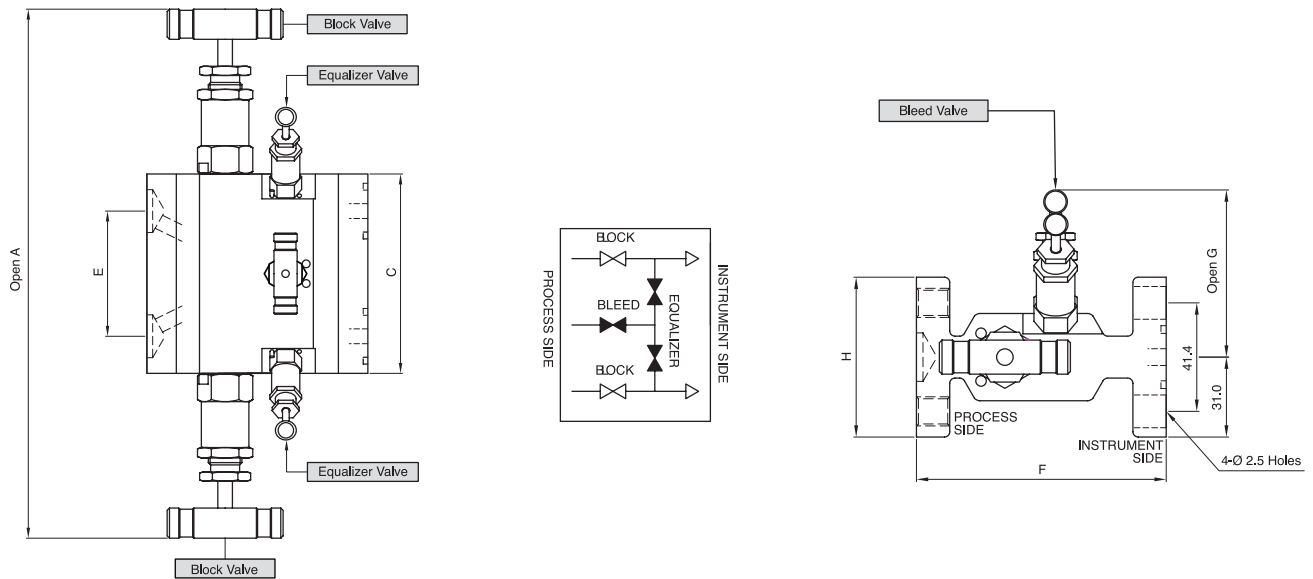
Ordering No.	End Connections			Weight Dimensions (mm)							
	Process	Instrument	Bleed	A	B	C	D	E	F	G	H
SM5VF-F-8N	1/2" Female NPT	Flange	1/4" Female NPT	228.0	40.0	86.0	24.0	54.0	102.0	69.0	31.8

* Dimension are for reference only and are subject to change.

* To order a manifold with optional Grafoil packing, add-G to the manifold ordering number.

5-Valve Manifolds

Horizontal Dual Flange Style (Direct Mounting)

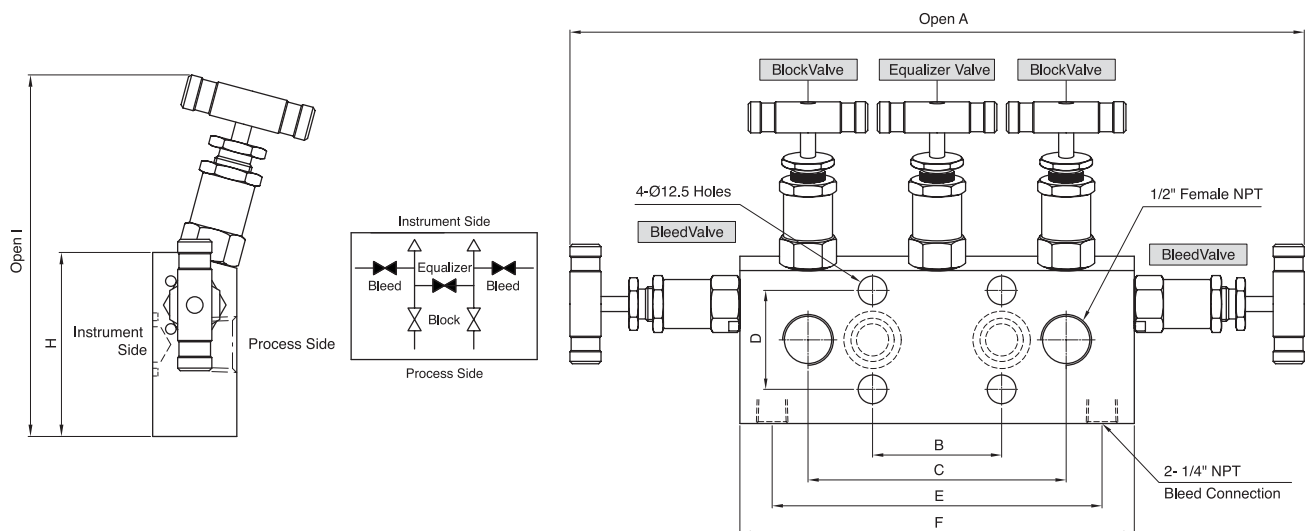


Ordering No.	End Connections			Weight Dimensions (mm)							
	Process	Instrument	Bleed	A	B	C	D	E	F	G	H
SM5VDF	Flange	Flange	1/4" Female NPT	228.0	32.0	86.0	24.0	54.0	96.4	69.0	61.0

* Dimension are for reference only and are subject to change.

* To order a manifold with optional Grafoil packing, add-G to the manifold ordering number.

Vertical Style (Direct Mounting)



Ordering No.	End Connections			Weight Dimensions (mm)								
	Process	Instrument	Bleed	A	B	C	D	E	F	G	H	I
SM5VD-F-8N	1/2" Female NPT	Flange	1/4" Female NPT	312.0	54.0	102.0	41.4	138.0	158.0	148.0	76.2	32.0

* Dimension are for reference only and are subject to change.

* To order a manifold with optional Grafoil packing, add-G to the manifold ordering number.

Manifolds Accessories

Flange Bolts & Seals

Flange Bolts

Flange Bolt	Ordering No.	Hex Size mm (in.)	Length mm (in.)	Threads	Bolt Material Designator
Standard Hex Head Bolt	SM-FB	15.87 (5/8)	25.0 (1.0)	7/16 - 20	Stainless Steel : -S Carbon Steel : -C
Long Stud with Hex Nut	SM-LFB		58.0 (2.28)		
Short Hex Head Bolt	SM-SFB		22.2 (0.875)		

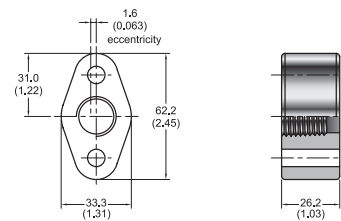


Flange Seals

Seal Material	Ordering No.	Temperature Rating
Viton	SM - FS - V	-20 °F ~ 450 °F (-28 °C ~ 232 °C)
PTFE	SM - FS	-65 °F ~ 250 °F (-53 °C ~ 121 °C)
Grafoil	SM - FS - GR	-65 °F ~ 1000 °F (-53 °C ~ 537 °C)

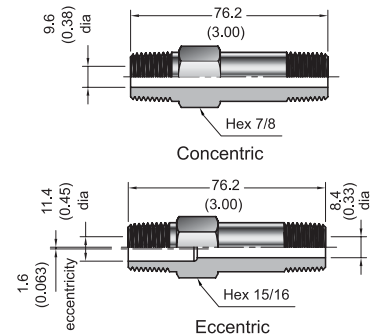
Concentric & Eccentric Oval Flange

- Eccentric Flanges and Pipe Nipple allow connections of flange - to - flange manifolds to process flange taps or process root valves.
- Standard connection is female NPT 1/2".
- Concentric & eccentric oval flange ordering number : Concentric oval flange female NPT 1/2" : SM - COF - F8N
Eccentric oval flange female NPT 1/2" : SM - EOF - F8N
- Dimensions, in millimeters (inches), are for reference only and are subject to change.



Concentric & Eccentric Pipe Nipple

Type	Ordering No.	Material	Pressure Rating @70 °F (20 °C) psig (bar)	Temperature Rating °F (°C)	Pressure Rating @Max. temperature
Concentric	SM - CPN - S	SS316 / A276	10000 (689)	-65 to 1200 (-53 to 648)	2850 psig @ 1200 °F (196 bar @ 648 °C)
	SM - CPN - C	Carbon Steel / A108	8000 (551)	-20 to 350 (-28 to 176)	6970 psig @ 350 °F (480 bar @ 176 °C)
Eccentric	SM - EPN - S	SS316 / A276	7500 (516)	-65 to 1200 (-53 to 648)	2140 psig @ 1200 °F (147 bar @ 648 °C)
	SM - EPN - C	Carbon Steel / A108	6000 (413)	-20 to 350 (-28 to 176)	5230 psig @ 350 °F (360 bar @ 176 °C)



* Dimensions, in millimeters (inches), are for reference only and are subject to change.

Calibration Fittings



Calibration fittings connect directly to the bleed port of differential pressure transmitter.

Material	Ordering No.	SUPERLOK O.D	Stright Male Thread
Stainless Steel / A276	SCAL4 - 1U	1/4"	1/4 - 28UNF
	SCAL4 - 2U		5/16 - 24UNF

Vent plugs, Bleed & Purge Valves

- Bleed & Purge valves used to vent to atmosphere and to assist in calibration.
- Are offered in 1/4, 3/8, and 1/2 in. male NPT sizes.
- For more information, see the SUPERLOK BLEED & PURGE VALVE catalog. (BMT CBPV)
- Dimensions, in millimeters (inches), are for reference only and are subject to change.



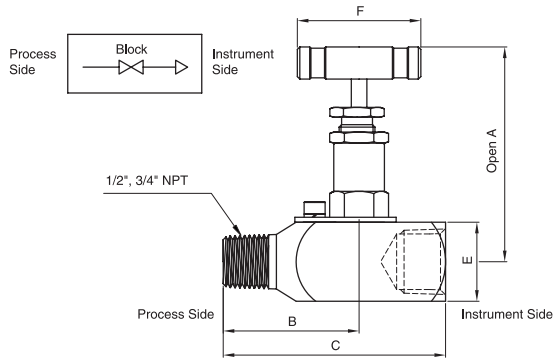
Gauge Valve

Features

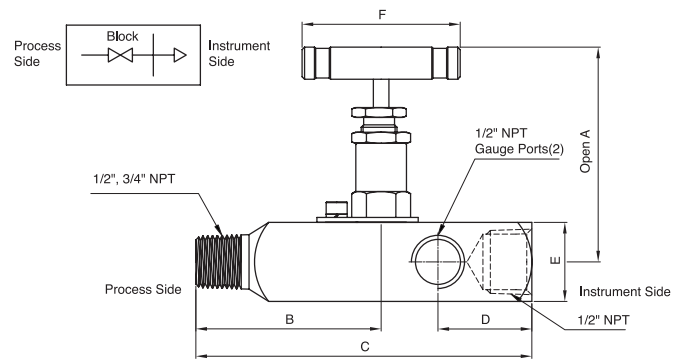
- Stainless Steel construction.
- 1/2 in. and 3/4 in, male to 1/2 in. female end connections.
- 1/2 in. female gauge ports standard.

Gauge / Root Valve

SGBV(Gauge Valve)



SGRV(Gauge Root Valve)

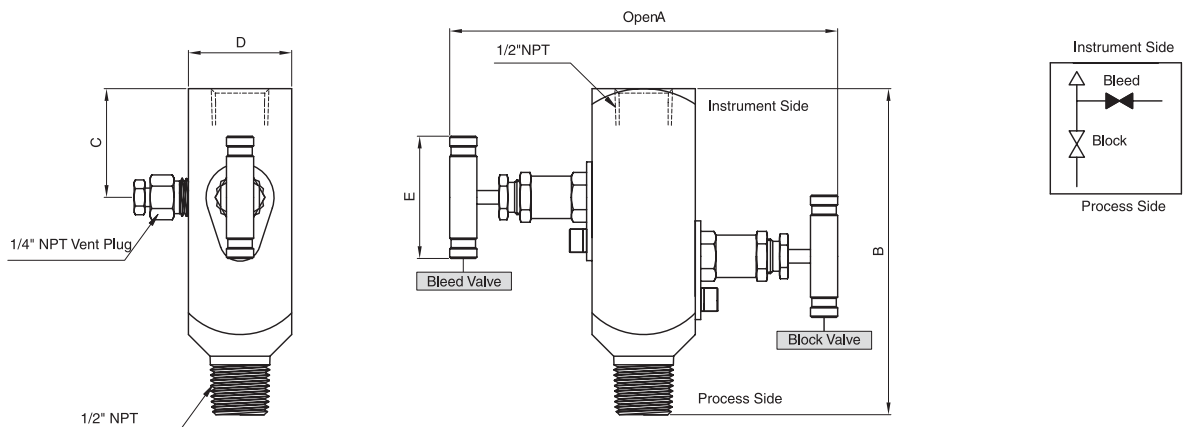


Ordering No.	End Connections		Dimensions (mm)					
	Process	Instrument	A	B	C	D	E	F
SGBV-MF-8N	1/2" Male NPT	1/2" Female NPT	87.0	54.0	90.0	-	32.0	45.0
SGBV-MF-12N8N	3/4" Male NPT	1/2" Female NPT						
SGRV-MF-8N	1/2" Male NPT	1/2" Female NPT	87.0	75.0	136.0	38.1	32.0	45.0
SGRV-MF-12N8N	3/4" Male NPT	1/2" Female NPT						

* Dimension are for reference only and are subject to change.
 * To order a manifold with optional Grafoil packing, add-G to the manifold ordering number.

Gauge 2-Valve

SGBV 2



Ordering No.	End Connections		Dimensions (mm)				
	Process	Instrument	A	B	C	D	E
SGBV2-MF-8N	1/2" Male NPT	1/2" Female NPT	142	120	40	38	45

* Dimension are for reference only and are subject to change.
 * To order a manifold with optional Grafoil packing, add-G to the manifold ordering number.

Valve Series

- Key Operation Ball Valves
- Key Operation Needle Valves
- Ball Valves
- Integral Bonnet Needle Valves
- Union Bonnet Needle Valves
- Check Valves
- High Pressure Check Valves
- High Pressure Needle Valves
- Plug Valves
- Manifold Valves
- Vacuum Clamps
- Water Regulators
- Flexible Hoses
- Double Block & Bleed Valves
- Swing-Out Ball Valves
- Toggle Valves
- Bleed & Purge Valves
- Quick Connectors
- High Pressure Ball Valves
- Hydraulic Ball Valves
- Trunnion Ball Valves
- Rising Plug Valves
- Relief Valves
- Cryogenic Needle Valves
- Cryogenic Ball Valves
- Micron in-Line Filters
- Gauge Root Valves
- Hydraulic Flange and Components

Fitting Series

- Integration Tube Fittings
- Tube Fittings (Compression Type)
- Instrument Thread Fittings
- Forged Fittings
- Bite Type Tube Fittings (DIN2353)
- Bite Type Tube Fittings (JIS B2351)
- 37 Flared Tube Fittings (SAE J514)
- O-Ring Face Seal Fittings
- Hose Connectors & Push-On Hose Fittings

Electric Equipment

- MCPD(Molded Case Power Distributor)
- SPIDER
- Smart Eye Module

i-Fitting

BMT Co., Ltd.

21-1 Bukjeong-dong Yangsan
Gyeongsangnam-do Korea
Tel. 82-55-783-1000
Fax. 82-55-783-1111
superlok@superlok.com

경상남도 양산시 북정동 21-1
전화 : 055-783-1000
팩스 : 055-783-1111
superlok@superlok.com

BMT CMV-5 (2012.04.19)

www.superlok.com